

**General Specifications**

Step Angel: 0.36°/step  
 Ambient Temperature: (0-55)°C  
 Leadwire: AWG26 UL1007

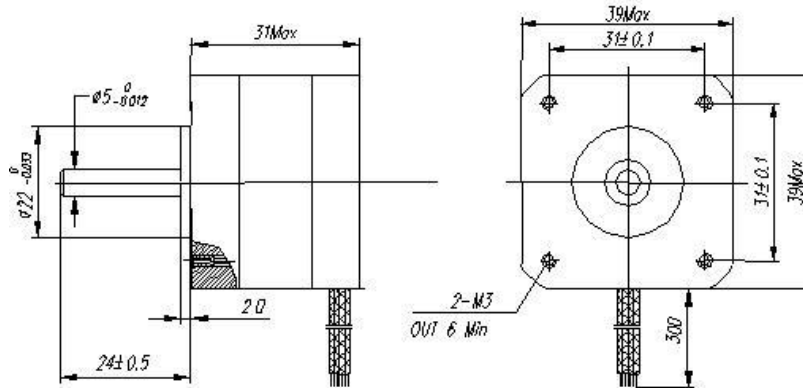
**Picture**



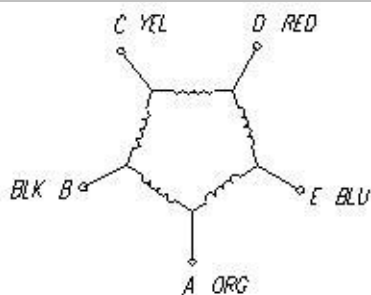
**Electrical Specification**

Series Model	L (mm)	Phase Current (A)	Phase Resistance ( $\Omega$ )	Phase Inductance (mH)	Holding Torque (N.cm)	Moment of Inertia (g.cm <sup>2</sup> )	Leadwire (No.)	Motor Weight (g)
<b>H397-00707</b>	31	0.75	18	1.8	7.5	14	5	140
<b>H397-01307</b>	40	0.75	2.5	2.5	13.5	25	5	200
<b>H397-02210</b>	44	1.0	2.0	1.6	22	28	10	220

**Mechanical Dimensions**



**Standard Leadwire Configuration**



**Complementary Products:**

- Special shaft
- Encoders
- Connector
- Long leadwires