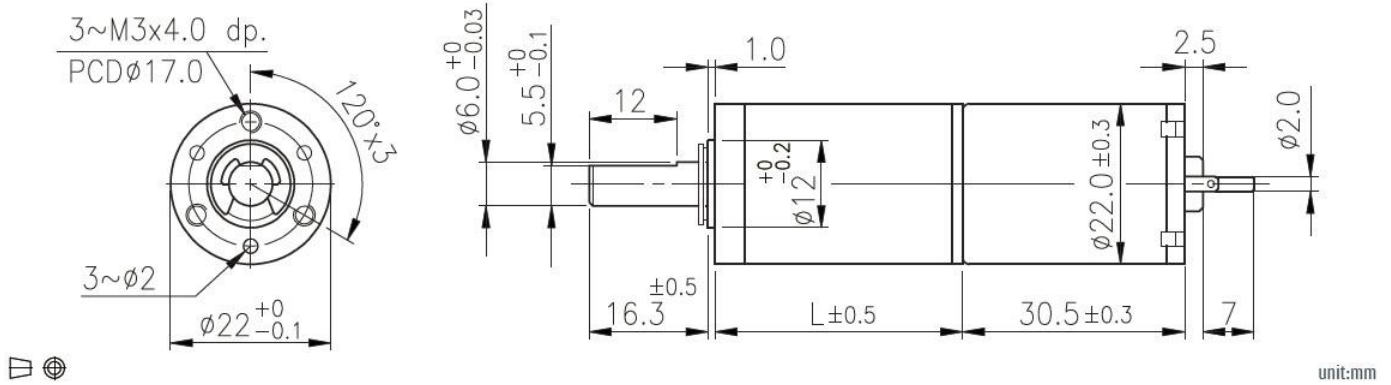


# DC PLANETARY GEAR MOTOR

DP223C-03&04



## Appearance Size



## DC Motor + Gearbox Specifications

	Reduction Ratio	1/5	1/18	1/20	1/25	1/66	1/77	1/90	1/110	1/136	1/246	1/336	1/393	1/484	1/597	1/735
12V	Rated Torque (g.cm)	170	560	650	820	1800	2100	2450	3000	3700	5000	5000	5000	5000	5000	5000
	Rated Speed (rpm)	1500	400	340	280	105	94	80	65	53	29	22	19	15.5	12.5	10
24V	Rated Torque (g.cm)	190	640	750	930	2000	2400	2800	3500	4000	5000	5000	5000	5000	5000	5000
	Rated Speed (rpm)	1600	420	350	290	110	98	84	68	55	31	23	20	16	13	10.5
	Rotation Direction	CW														
	Length ( L-mm )	23.3	29.5			35.7			41.9							

## DC Motor Specifications

Rated Voltage (V)	Rated Torque (g.cm)	Rated Speed (rpm)	Rated Current (mA)	No Load Speed (rpm)	No Load Current (mA)	Weight (g)
12	46	7230	<=500	9000	<=120	43
24	53	7550	<=300	9000	<=80	43

\* Specification can be customized as the inquiry. Contact: [sales@ichmo.com](mailto:sales@ichmo.com)

