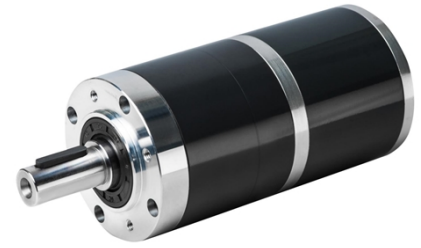
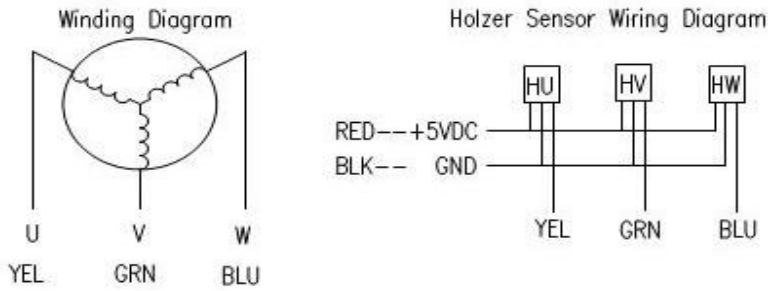
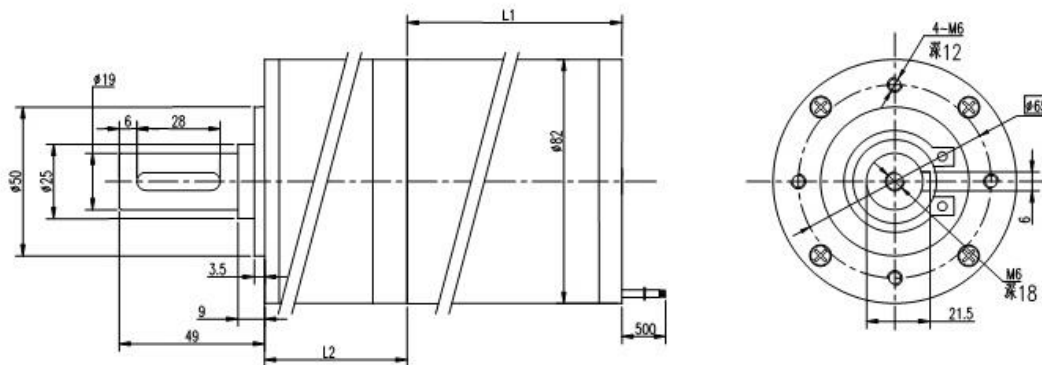


Wiring Diagram



Appearance Size & Motor Installation



Motor Electrical Specification

Motor Model	DG825-188W
Rated Voltage(VDC)	48
Rated Speed(Rpm)	3000
Rated Torque(N.m)	0.6
Rated Power(W)	188
L1 Length(mm)	93

Gearbox Electrical Specification

Reducer Series	1	2
Transmission efficiency	95%	90%
Max radial load	800N	800N
Max axial load	150N	150N
Transmission torque	100N.m	160N.m
Reduction Ratio	5,10	15,20,25,30,40,50
L2 Length(mm)	58	77

- * Note: We can manufacture products according to customer's requirements. Optional accessory is the encoder and brake to match this product.
- * Contact sales@ichmo.com.